

JOB _____ ITEM # _____ QTY # _____

MODEL NUMBER

OP-3

DIMENSIONS

◆ 74.5"H x 33"W X 36"D

INTERIOR DIMENSIONS:

◆ Oven - 26.5"H x 24.5"W x 30"D, 6.25 between decks

◆ Proofer - 30.75"H x 24.5"W x 30"D, racks adjustable every 3"

CONSTRUCTION

The oven corner posts shall be 18 gauge stainless steel with a 20 gauge stainless steel wrapper for top, sides and back panels. The interior oven cavity shall be constructed of heat retentive 18 gauge aluminized steel with chrome plated wire racks on .190 aluminum decks. The interior oven cavity shall be constructed of heat retentive 18 gauge aluminized steel with .190 aluminum decks.

The oven shall work with a patented "Heat Sink" principle and "Natural Convection" technology. When the materials in oven are heated to the proper temperature the oven shall bake with radiant heat and conduction. The oven shall also have heat release vent that draws air through the oven cavity and over decks.

The oven shall have no moving parts. Each deck shall be individually, thermostatically controlled. The oven shall have a heat reflective tempered glass door.

The ovens proofer shall be constructed of 18 gauge stainless steel. The proofer shall have a thermostatically controlled 750 watt element for creating heat and an infinitely controlled humidistat 1250 watt burner element for creating moisture. Proofer shall be brightly lighted.

Oven proofer combinations shall have three individual circuit breakers. One for the proofer thermostat and heat element. One for the humidity infinite switch and burner element and one for the oven lights.

WARRANTY

◆ One year parts and labor. Warranty is detailed on inside front cover of the price list.



**Optional:
COOL TOUCH
TECHNOLOGY**
Reduces door temp
to under 100 degrees



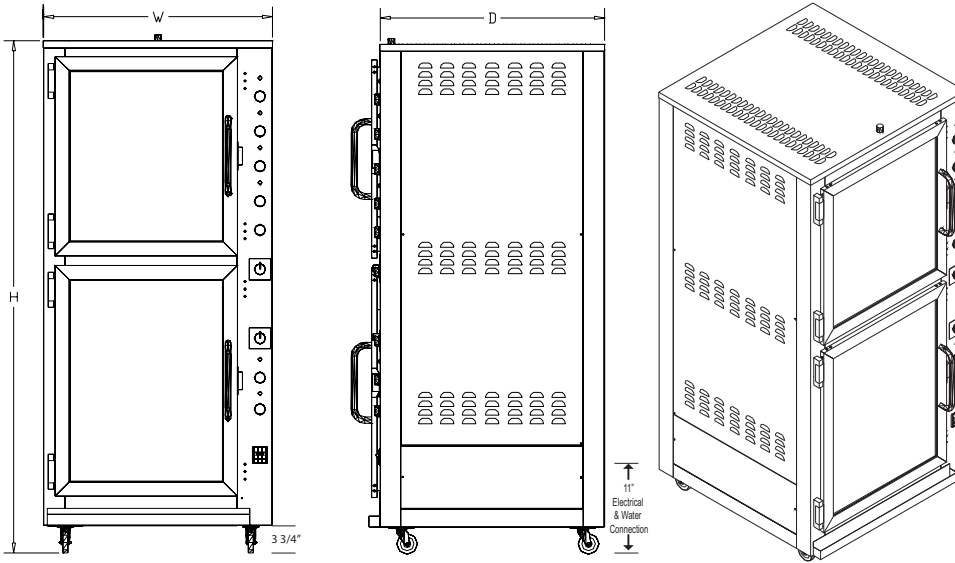
**PIPER'S SUPERIOR
FOUNDATION**
Fully welded coated steel
frame with 18 gauge base plate

OP-3

The OP-3 from Super Systems is a mini baking system in one space-saving cabinet! This 3-pan oven, 9-pan proofer meets all your baking needs - and does it in less than 8 square feet of floor space! Our patented design provides a top-notch hearth bake and easy, reliable proofing, giving you beautiful baked product.

STANDARD FEATURES

- ◆ Individually controlled oven and proofer
- ◆ Each oven deck individually thermostatically controlled, provides precision "hearth" bake, and allows for more control over baking environment
- ◆ Natural convection & radiant heat design does not dry out product
- ◆ No moving parts in oven reduces maintenance problems and increases reliability
- ◆ Full-view, heat-reflective tempered glass door allows for energy-efficient sight baking and proofing
- ◆ Each deck brightly lighted provides sight merchandising
- ◆ Heavy-duty, stainless steel construction easily cleaned and maintained
- ◆ Individual heat and humidity controls in proofer provides precise control over proofing/warming environment
- ◆ High volume blower in proofer circulates heat and humidity efficiently in proofer
- ◆ Manual fill water pan has 4.3 quart capacity, auto-humidity optional
- ◆ Positive magnetic door closure
- ◆ 60 Minute reminder timer
- ◆ Field reversible doors, left or right hinged
- ◆ Removable drip trough provided under proofer door



ELECTRICAL*

| VOLTS | PHASE | WIRE** | AMPS | WATTS | HERTZ |
|---------|-------|--------|------|-------|-------|
| 120/208 | 1 | 3 | 40 | 8,250 | 60 |
| 120/240 | 1 | 3 | 36 | 8,250 | 60 |
| 120/208 | 3 | 4 | 27 | 8,250 | 60 |
| 120/240 | 3 | 4 | 24 | 8,250 | 60 |

**Units are shipped without cord and plug. Designed to be hard wired. Installation requires a 4" clearance around the entire unit and should be made by a licensed electrician. Check local codes for vent hood requirements.

** Number of wires does not include ground.

Note: Optional automatic humidity feature, with the proofer section, requires 1/8" FPT water line to be supplied. Product failure caused by liming or sediment buildup is not covered under warranty.

COMMON OPTIONS

- Oven Section: High Volume Steam Injection. (Call factory for details on further electrical requirements.)
- Proofer Section: Automatic Humidity
- Warmer option for proofer (Holds maximum temperature of 225°)
- Cool Touch Technology Heat shield for oven (Reduces door temperature to 100°)

Please specify doors hinged left or right. Hinged left is standard.

CAPACITY

OVEN ACCOMMODATES:

- ◆ 3 18" x 26" sheet pans
- ◆ 6 4-strapped 1 lb. bread pans
- ◆ 6 4-strapped 1.5 lb. bread pans
- ◆ 18 nine-inch pies
- ◆ 3 eighteen-inch pies any combination of the above
- ◆ maximum oven temp. 450°

PROOFER ACCOMMODATES:

- ◆ 9 nylon-coated wire racks (6 furnished)
- ◆ 9 standard 18" x 26" sheet pans
- ◆ 8 4-strapped 1 lb. bread pans
- ◆ 8 4-strapped 1.5 lb. bread pans
- ◆ any combination of the above

SHIPPING INFORMATION

- ◆ Shipping weight: 600 lbs.
- ◆ Cubic feet: 50.44
- ◆ Freight class: 100

0-2 SPEC

PIPER PRODUCTS
 BUILT TO LAST
www.piperonline.net

300 S. 84th Avenue
 Wausau, WI 54401
 Phone: 800-544-3057
 Fax: 715-842-3125

LIMITED WARRANTY: PIPER PRODUCTS warrants to the original purchaser parts and labor for a period of twelve (12) months from the date of purchase. See manufacturer's complete warranty for details.

It is our policy to build equipment which is design certified by companies that have been accredited at the Federal Level by the Occupational Safety and Health Agency (OSHA) and ANSI as a National Recognized Testing Laboratory. These companies include CSA International, Underwriters Laboratories, and the National Sanitation Foundation. However, a continuing program of product improvement makes it necessary to submit new models to the agencies as they are developed. Consequently, all models may not bear the appropriate labels at all times.

We reserve the right to change specifications and product design without notice. Such revisions do not entitle buyer to corresponding changes, improvements, additions or replacements for previously purchased equipment. Information is not for design purposes.