

JOB \_\_\_\_\_ ITEM # \_\_\_\_\_ QTY # \_\_\_\_\_

**MODEL NUMBER**

- 208
- 210

**DIMENSIONS**

- ◆ 208 70H" x 24W" x 22D"
- ◆ 210 70H" x 24W" x 22D"

**HEAVY-DUTY CASTERS**

- ◆ 5" x 1-1/4" sealed wheel stem casters
- ◆ Delrin bearing, each with 350 lbs. capacity
- ◆ Maximum resistance to chemicals, acids, bases, alcohol, water and steam
- ◆ Maximum low temperature flexibility for superior performance, even in freezing temperatures

**RACKS OPTIONS / ACCESSORIES PART NUMBER**

(Part Number add after model number)

Option	Description
<input type="checkbox"/> PS	Pan Stop
<input type="checkbox"/> EMB	Personalized Embossment (12 letters per line)
<input type="checkbox"/> Y5	5" Polyurethane Casters (set of 4)
<input type="checkbox"/> WB	Wheel Brakes (set of 2)
<input type="checkbox"/> V	Vertical Bumpers
<input type="checkbox"/> R	Rotating Bumpers



208

Piper's Econoline Racks provide strength and excellent versatility at an economical price. Featuring all-aluminum construction and welded panels, these racks have double-welded side glides for added strength and rigidity.

**STURDY TRAY SUPPORTS**

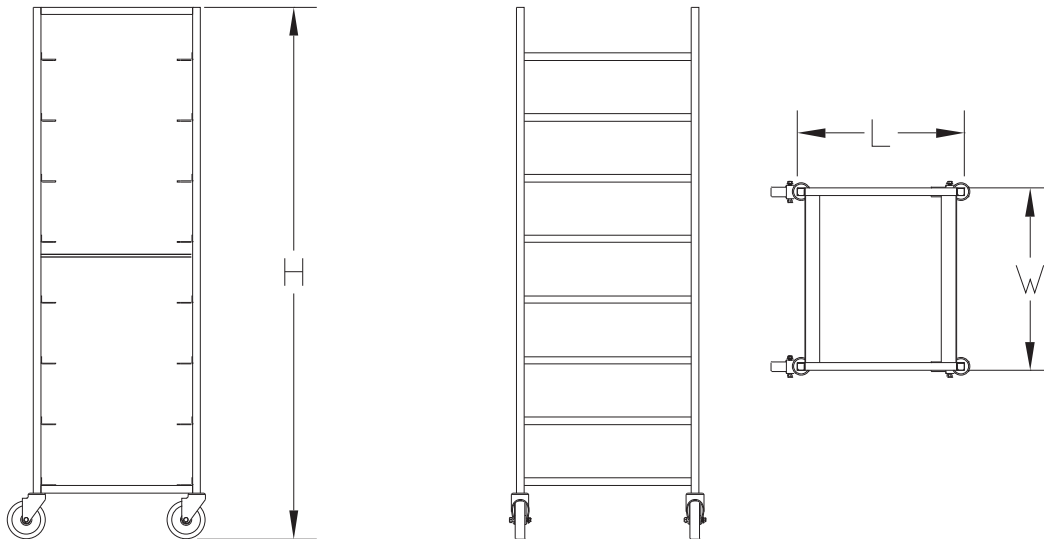
- ◆ .080" thick aluminum extruded glides
- ◆ 1" x 1.5" ledge angles
- ◆ Welded on front and back - twice as many welds as competitors

**TIE BARS**

- ◆ 1/2" extruded aluminum tie bar keeps rack square
- ◆ Adds rigidity and stability to rack
- ◆ Two per unit

**WARRANTY**

- ◆ One year parts and labor. Warranty is detailed on inside front cover of the price list.



Model#	Description	Height Inches	Width Inches	Depth Inches	Channel Ht. Inches	Pan Capacity	Ship Wt. (lbs)
208	Glass Rack	70"	24"	22"	8"	8	35
210	Glass Rack	70"	24"	22"	6"	10	38

Height includes casters.

\*Tabletop model does not have casters.

Approximate box dimensions: 66-1/2" x 27" x 5" Knock-down; 70" x 23" x 29" Welded

Typical freight class: 150

**I-12** **SPEC**

**PIPER PRODUCTS**  
**BUILT TO LAST**  
[www.piperonline.net](http://www.piperonline.net)

300 S. 84th Avenue  
Wausau, WI 54401  
Phone: 800-544-3057  
Fax: 715-842-3125

**LIMITED WARRANTY:** PIPER PRODUCTS warrants to the original purchaser parts and labor for a period of twelve (12) months from the date of purchase. See manufacturer's complete warranty for details.

It is our policy to build equipment which is design certified by companies that have been accredited at the Federal Level by the Occupational Safety and Health Agency (OSHA) and ANSI as a National Recognized Testing Laboratory. These companies include CSA International, Underwriters Laboratories, and the National Sanitation Foundation. However, a continuing program of product improvement makes it necessary to submit new models to the agencies as they are developed. Consequently, all models may not bear the appropriate labels at all times.

We reserve the right to change specifications and product design without notice. Such revisions do not entitle buyer to corresponding changes, improvements, additions or replacements for previously purchased equipment. Information is not for design purposes.