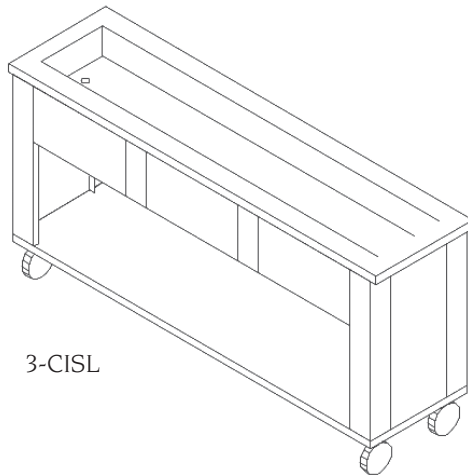


JOB \_\_\_\_\_ ITEM # \_\_\_\_\_ QTY # \_\_\_\_\_

**MODEL NUMBER****Mechanically Cooled** 2-CMSL 3-CMSL**Ice pan** 2-CISL 3-CISL

3-CISL

The Elite 500 Slimline Cold unit is available mechanically cooled (CMSL) or ice only (CISL). The versatile modular design allows you to customize your tray make-up line, choosing only the options and accessories that you want and need.

**STANDARD FEATURES**

- ◆ 14-gauge stainless steel top with 1-1/2" turndown on all sides
- ◆ Top secured by four recessed bolts for easy access
- ◆ Framing includes 14-gauge top fastened to 14-gauge corner posts fastened to 14-gauge caster channels fastened to 18-gauge stainless steel bottom shelf, open control side
- ◆ 20-gauge stainless steel end and front panels are attached to legs
- ◆ 20-gauge stainless steel fully welded 5" deep well with drain
- ◆ Well is enclosed with insulation on sides, end and bottom
- ◆ 1" drain with shut off valve shall exit operator's left side as standard. Drain valve is 3/4" FPT.
- ◆ Open control side for additional storage capacity on Elite units
- ◆ Sliding doors standard on Mechanical (CMSL) units only
- ◆ Louvered panels for ventilation of condensing unit on CMSL units
- ◆ End louver panel removable to access compressor on CMSL units
- ◆ 5" diameter swivel plate casters, 2 with brakes

**DIMENSIONS**

- ◆ 2-CMSL - 36"H x 19"D x 50"L
- ◆ 3-CMSL - 36"H x 19"D x 72"L
- ◆ 2-CISL - 36"H x 19"D x 50"L
- ◆ 3-CISL - 36"H x 19"D x 72"L
- ◆ 36" height on all standard units
- ◆ 19" width
- ◆ 50" to 72" length in 22" increments

**ELECTRICAL - CM UNITS ONLY**

- ◆ 120 volts single-phase
- ◆ Eight foot electrical cord with NEMA 5-15P plug
- ◆ On/Off switch and pilot light mounted on control panel of unit's operator side

**REFRIGERATION SYSTEM - CM UNITS ONLY**

- ◆ 1/3 horsepower compressor
- ◆ Fan-cooled condensing unit with an expansion valve pressure control switch
- ◆ Refrigerant coils shall be of copper tubing attached to the bottom of the well

**COMMON OPTIONS**

- ◆ **PIZZAZZ POWDER COATING IN LIEU OF STAINLESS STEEL**
- ◆ Tray slides
- ◆ Protector guards
- ◆ Hinged or sliding doors on CI units
- ◆ See reverse side for additional options

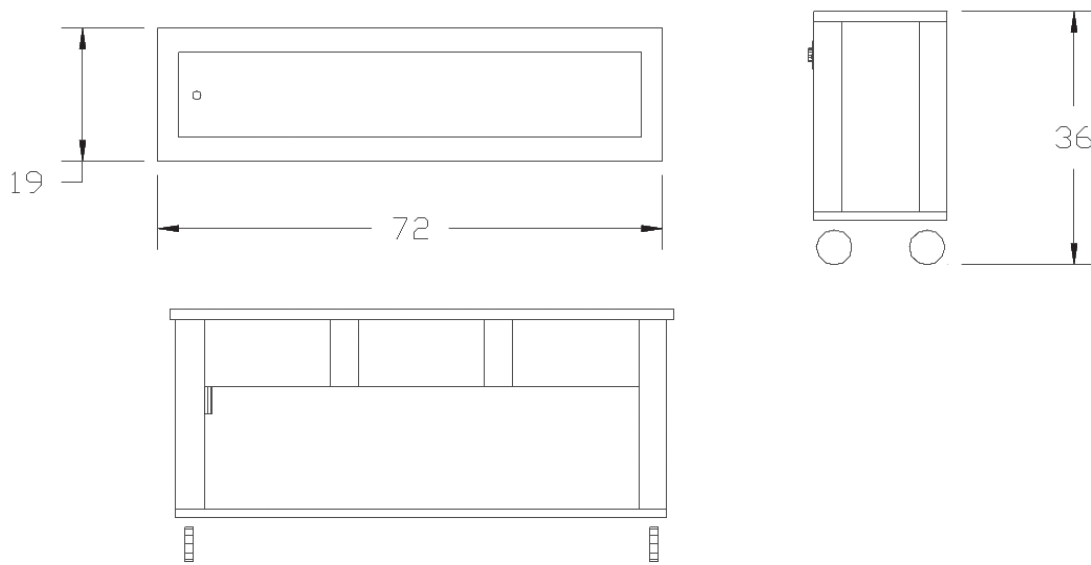
**WARRANTY**

One year parts and labor. Warranty is detailed on inside front cover of the price list.

**SPEC A-2-B**

**PIPER PRODUCTS**  
BUILT TO LAST  
[www.piperonline.net](http://www.piperonline.net)

300 S. 84th Avenue  
Wausau, WI 54401  
Phone: 800-544-3057  
Fax: 715-842-3125



### SLIMLINE MECHANICALLY REFRIGERATED- ICE COOLED SPECS

Model#	12x20 Pan Capacity	L	W	H	*Amperage 120V	*NEMA Cap No.	Ship Wt. (lbs)
2-CMSL	2	50"	19"	36"	6.3	5-15P	225
3-CMSL	3	72"	19"	36"	6.3	5-15P	265
2-CISL	2	50"	19"	36"	N/A	N/A	225
3-CISL	3	72"	19"	36"	N/A	N/A	265

### DIMENSION ADDITIONS FOR OPTIONS

- ◆ Add 8" to width for cutting board
- ◆ Add 12-3/4" to width for solid ribbed tray slide
- ◆ Add 12-1/2" to width for 3-bar tray slide

Note: Line-up drawing required when ordering false front, cashier stand or interconnected units.

### OPTIONS / ACCESSORIES

Part #	Description
<input type="checkbox"/> PPC	PIZZAZZ POWDER COATING
<input type="checkbox"/> SCB	8" stainless steel cutting board, flush with top
<input type="checkbox"/> MCB	8" maple cutting board, flush with top
<input type="checkbox"/> SRTS	Solid 3-ribbed tray slide, 16-gauge stainless steel
<input type="checkbox"/> 3BTS	3-bar tray slide, 34" height
<input type="checkbox"/> HD/SD	Hinged or sliding doors on Ice (CI) unit
<input type="checkbox"/> FRMAD	Formica laminate finish with doors

Part #	Description
<input type="checkbox"/> OHS	Overhead shelf less plexiglass
<input type="checkbox"/> SSL	Legs in lieu of casters
<input type="checkbox"/> DOUT	Duplex outlet (120V, 15 AMP)
<input type="checkbox"/> FB	False bottom
<input type="checkbox"/> FPB	Full Perimeter Bumper
<input type="checkbox"/> CP	Correctional package

### A-2-B SPEC

**PIPER PRODUCTS**  
BUILT TO LAST  
[www.piperonline.net](http://www.piperonline.net)

300 S. 84th Avenue  
Wausau, WI 54401  
Phone: 800-544-3057  
Fax: 715-842-3125

**LIMITED WARRANTY:** PIPER PRODUCTS warrants to the original purchaser parts and labor for a period of twelve (12) months from the date of purchase. See manufacturer's complete warranty for details.

It is our policy to build equipment which is design certified by companies that have been accredited at the Federal Level by the Occupational Safety and Health Agency (OSHA) and ANSI as a National Recognized Testing Laboratory. These companies include CSA International, Underwriters Laboratories, and the National Sanitation Foundation. However, a continuing program of product improvement makes it necessary to submit new models to the agencies as they are developed. Consequently, all models may not bear the appropriate labels at all times.

We reserve the right to change specifications and product design without notice. Such revisions do not entitle buyer to corresponding changes, improvements, additions or replacements for previously purchased equipment. Information is not for design purposes.